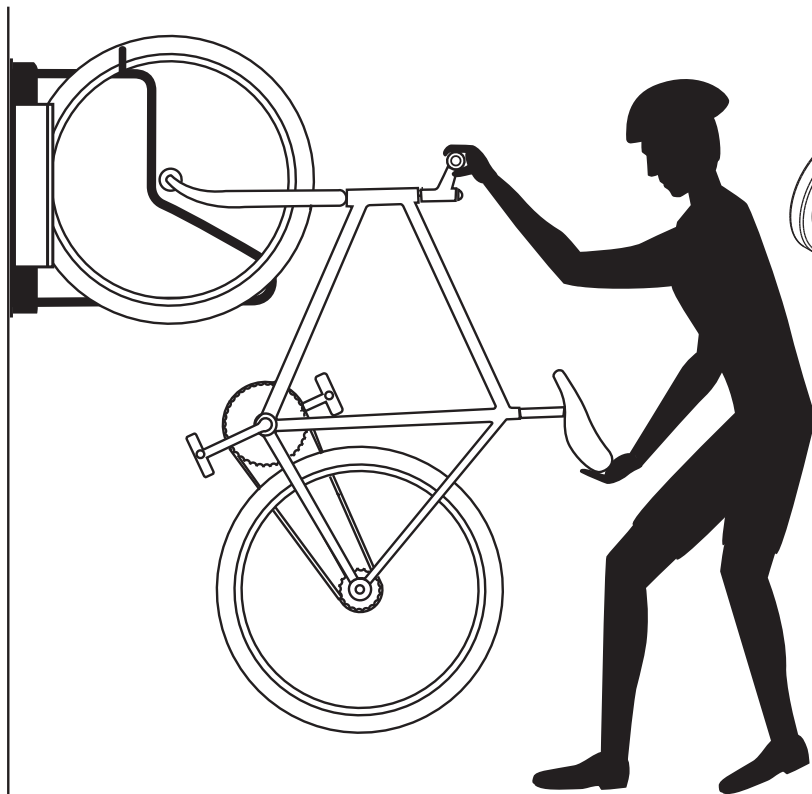


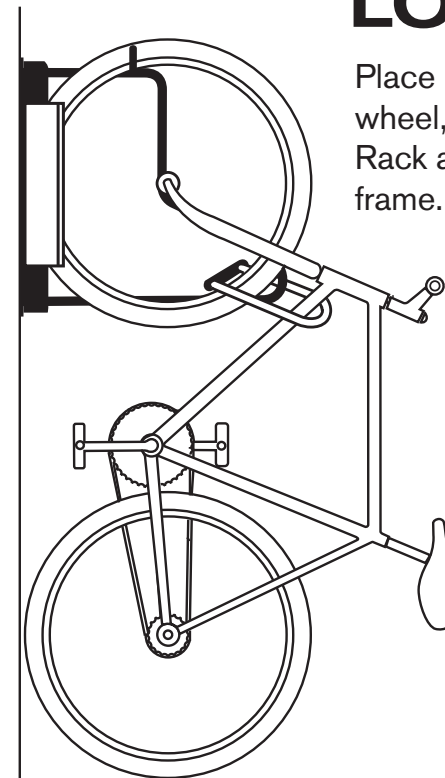
HOW TO USE

FENDER RACK



LOAD

Grab bike brake and seat, lift and place bike over hook and allow bike to settle into tire guard.



LOCK

Place lock thru wheel, Fender Rack and bike frame.



CycleSafe[®]
SECURE BICYCLE PARKING

888.950.6531

CYCLESAFE.COM

INFO@CYCLESAFE.COM