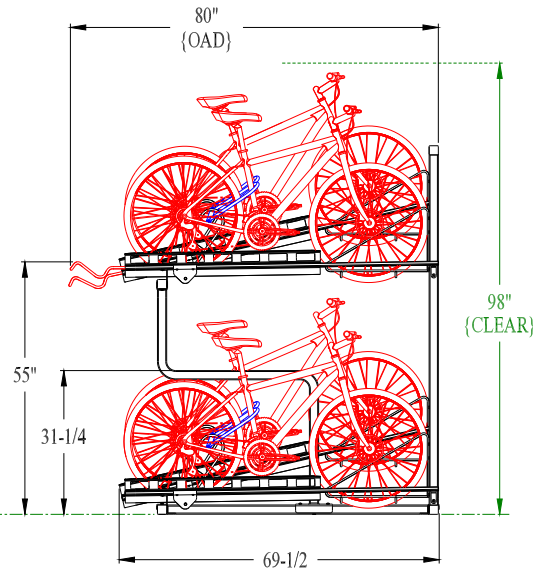
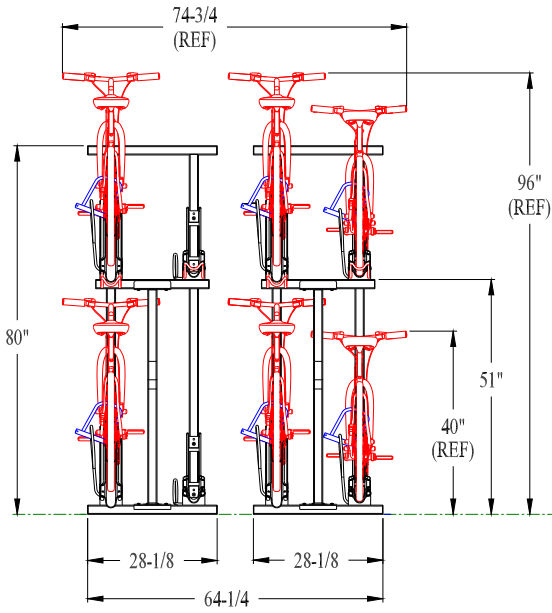
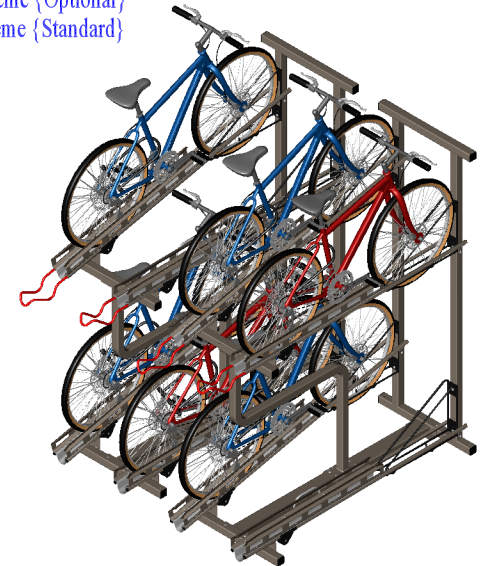
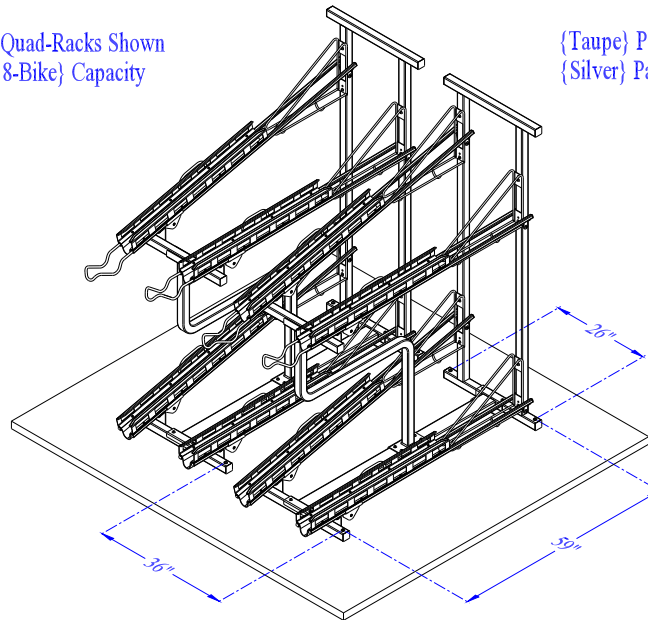


(2) Quad-Racks Shown
{8-Bike} Capacity

{Taupe} Paint Scheme {Optional}
{Silver} Paint Scheme {Standard}



THE RACK FRAME CONSTRUCTION IS 2" SQUARE HEAVY STEEL TUBING WITH 2" X 4" HEAVY RECTANGULAR STEEL SUPPORT TUBE ALL WITH SILVER OR TAUPE POWDER COATING

(4) GUIDE RAILS HAVE 1/2" Ø RED POWDER COATED STEEL ROD STOP LOOP "ON TOPS" ONLY, 1" SQUARE SUPPORT TUBES EACH SIDE, PVC WHEEL GUIDES, (2) FORMED STEEL MATCHING POWDER COATED GUARDS EACH SIDE & 5/8" Ø CRS ROD SILVER POWDER COATED LOCK LOOPS WITH BLACK POWDER COATED MOUNTS

(4) 3/8" Ø CRS STEEL ROD WALL-RACKS BLACK POWDER COATED OR STAINLESS WALL-RACKS ARE ALSO AVAILABLE

SHIPPING WEIGHT IS 250 LBS. OR 114 KG. PER ASSEMBLY

SHEET 1 OF 1	A	RELEASE FOR QUOTE	10/21/18
	REV	DESCRIPTION	DATE
TOLERANCES UNLESS OTHERWISE SPECIFIED: +/-	HI-DENSITY {QUAD} RACK		
	Cycle Safe		
	5211 CASCADE ROAD - SUITE 210 GRAND RAPIDS, MI 49546 www.cyclesafe.com		
	BOB SLYH	11/12/18	
.X	.030	CHECKED	DATE
.XX	.010	APPROVED	DATE
.XXX	.005		
ANGLE	1/2°		
SP	(4-BIKE) RACK (1-SIDE) ASSEMBLY		REV
D			A