

Power Post



Overview:

The Power Post brings the power directly to your bike. The Post & Ring-style rack features built-in power outlets, allowing simultaneous charging for up to two eBikes. Keep your bikes securely locked while you fill up your batteries and get ready to ride.

Benefits:

- Two built-in grounded outlets for charging eBikes
- Access port near bottom for electrical plumbing
- Full rectangular tube construction to deter pipe cutters
- Accommodates two standard or electric bikes
- Meets APBP bike parking guidelines
- Also available in a non-locking, post-only version that can accompany existing bicycle racks to provide a charging point

Power Post

Recommended Setbacks

Features:



Accommodates
2 electric or
Standard bikes



2 x 4" laser
cut tube upright
1.25" lock ring



Powder coat
zinc-plated



Temporary: 28879
Temporary Secure: 26270
Permanent
Spike Anchor: 6266

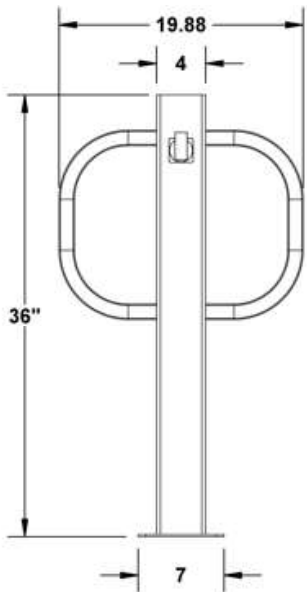
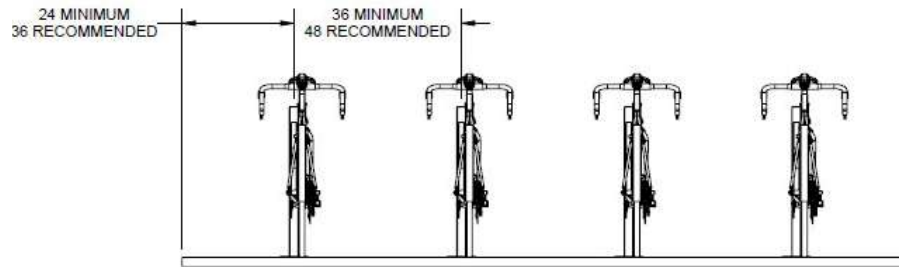
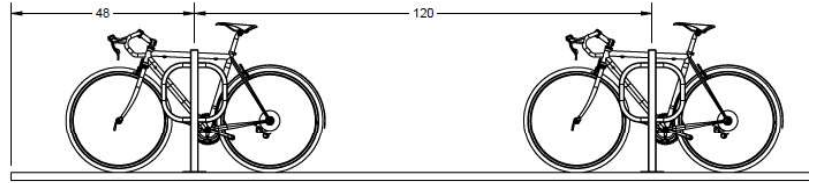


1 year
warranty

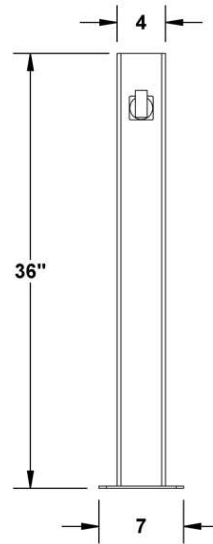
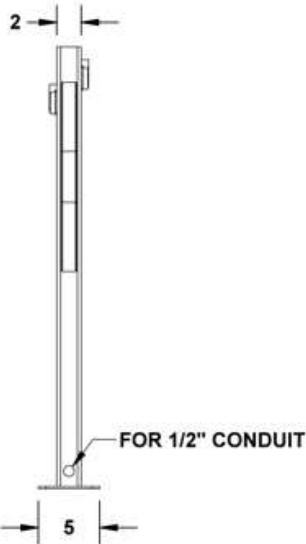


Made in
the USA

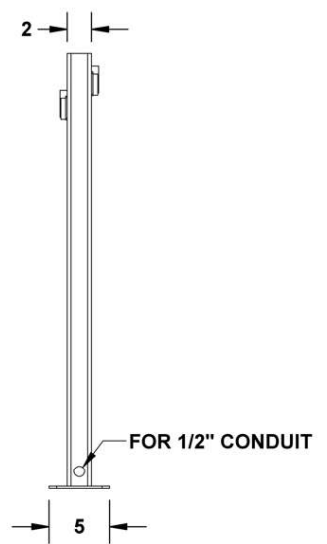
Anchors sold separately



Locking Power Post



Non-locking Power Post



DIMENSIONS

Model #	# Bikes	Type of Mount	Weight	Length	Height	Width	Finish
Power Post with Lock Ring							
34102	2	Flange	22 lbs.	19.88"	36"	5"	Powder Coat
34015	2	Flange	22 lbs.	19.88"	36"	5"	Zinc Plated
Power Post, Non-locking							
34206	2	Flange	22 lbs.	7"	36"	5"	Powder Coat
34014	2	Flange	22 lbs.	7"	36"	5"	Zinc Plated