

Power Post

Installation Guide



DISCOVER MORE

For more Saris
Infrastructure products,
scan the QR code or visit
[sarisinfrastructure.com](https://www.sarisinfrastructure.com)



Tell Us What You Think!



**[Sarisinfrastructure.com/
products/power-posts](https://www.sarisinfrastructure.com/products/power-posts)**

Submit Your Installation Photos!

Nothing makes us happier than seeing our
infrastructure products out in the wild!

Submit your photos at the link below.

www.sarisinfrastructure.com/contact/submit-photos



Thanks for purchasing a Power Post!

Congratulations on choosing a world-class solution for eBike charging!

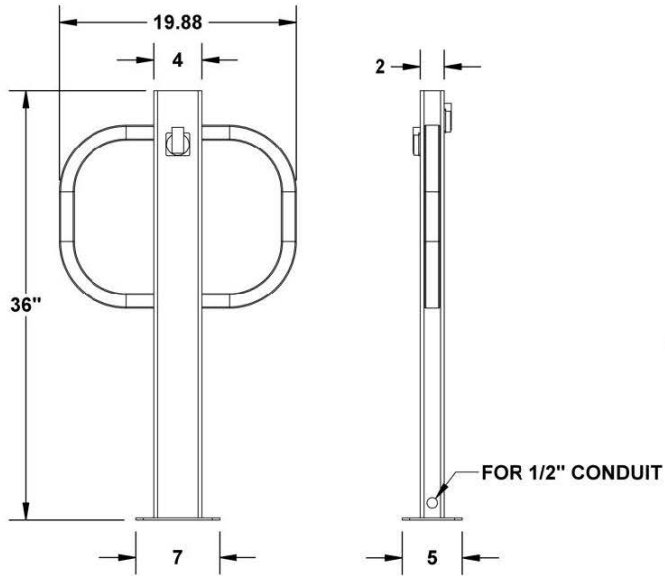
The Power Post is a secure, super-fast solution to keeping electric bikes safe while they charge. With space for up to 2 bikes and an integrated outlet for charging eBikes while parked, the Power Post is the simple, affordable solution for eBike parking.

Please be sure to read and understand the following instructions before beginning your installation.

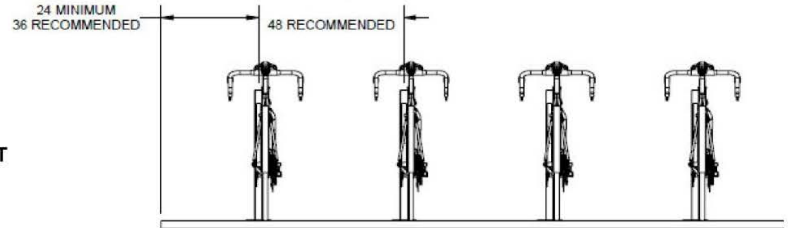
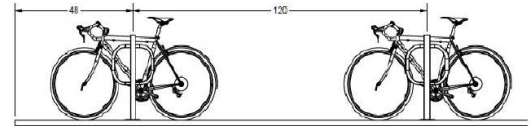
Everyone here at Saris wants you to be happy with this product. Please contact us at sales@saris.com or 800-783-7257 should you need anything.



Dimensions and Setbacks



Dimensions



Recommended Setbacks

Electrical Outlet Details

- Outlet type: NEMA 5-15R
- Rated up to 15A 125V
- 2 Pole - 3 Wire Grounding (2P+E)
- Weatherproof with gasket (IP54 with Cover Closed)
- Operating Temp: -25 C (-13 F) to +40 C (104 F)

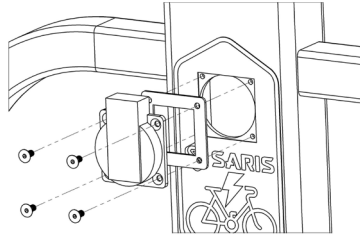
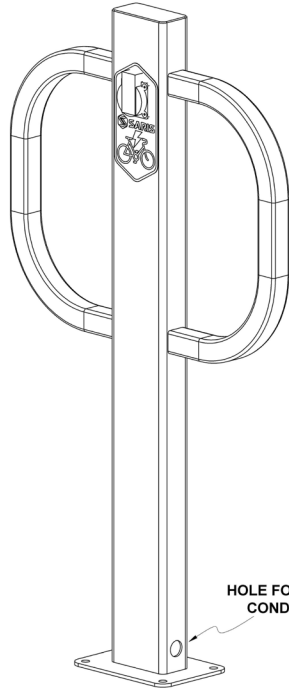
Tools Required

- Tape Measure
- 1/2" Masonry Drill Bit (hammer drill recommended)
- Hammer
- 3/8" Drive ratchet
- Marker
- 7/32" Hex key
- 3/32" Hex key
- 5/16" Nut driver

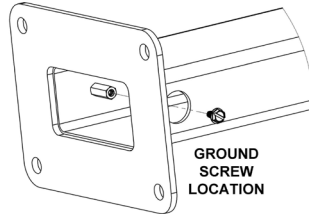
Installation should be completed by licensed electrician per local codes



Electrical Installation



**INSTALL THE OUTLET
AND GASKET AS SHOWN**



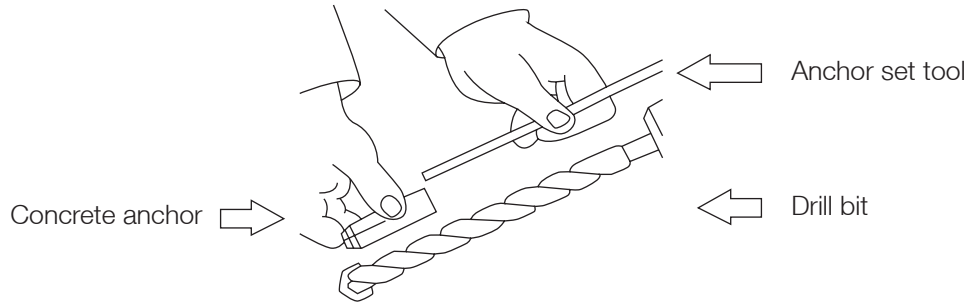
**GROUND
SCREW
LOCATION**

1. Place unassembled units into desired installation location and mark floor where anchor holes are to be placed.
2. Have a certified electrician run power through floor and up through baseplate of unit or run conduit through the knockout near the base.
3. Connect outlets to and wire per your local codes and ground the unit in the base near the conduit knock out.
4. Ensure gaskets are in place before fastening outlets in place using four provided screws for each outlet.
5. Follow steps on next pages to fasten Power Post to the ground.

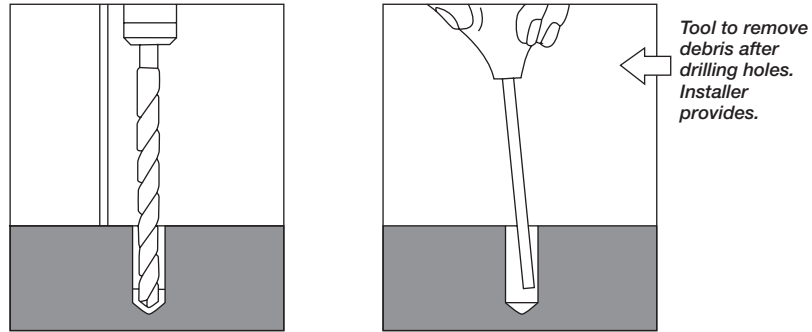
Anchor Installation

***DO NOT THROW AWAY THE PENTA SOCKET AFTER COMPLETING THE INSTALLATION.
YOU WILL NEED IT TO REMOVE THE EQUIPMENT IF THAT IS NECESSARY.**

1. Place the rack in the desired location (see setbacks document). Use a marker or pencil to outline the holes of the flange onto the base material. We recommend checking the hole locations after each new anchor is placed. Ensure the holes are at least 6" away from any cracks in the base material.
2. The concrete anchor (a.k.a. "drop in anchor") is a female anchor designed for use in solid concrete only and cannot be used in brick or block base material. The anchor size is determined by the inside diameter of the anchor. The diameter of the hole to be drilled is the same size as the outside diameter of the anchor which is 1/2".
3. When fastening to solid concrete with a drop in anchor, a hole must first be drilled into the concrete. A hammer drill should be used as it will drill the best quality hole. Once the bit is inserted into the hammer drill, the depth of the hole to be drilled can easily be set by using the depth gauge on the drill or by wrapping the bit with tape at the required depth. We recommend a drill depth of 1-5/8" deep so that the anchor just sets down flush with the surface.

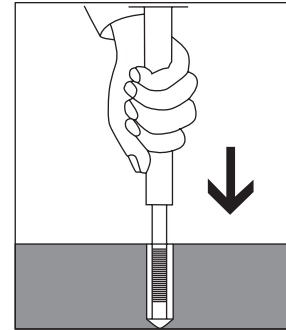


4. Before starting to drill the hole, it is important that eye and ear protection are used. Make sure the hammer drill is in the hammer mode and start drilling your hole. Continue drilling until the tape on the bit or the drill gauge meets the base material- this means that the required depth has been reached.

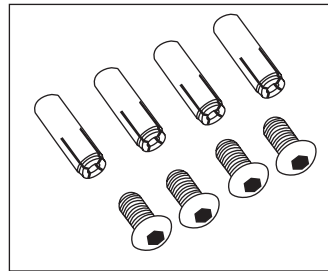


5. Before proceeding with installation, the hole must be cleaned of all concrete dust to ensure proper fastening. Use a wire brush, a vacuum or compressed air to clean out the hole completely.

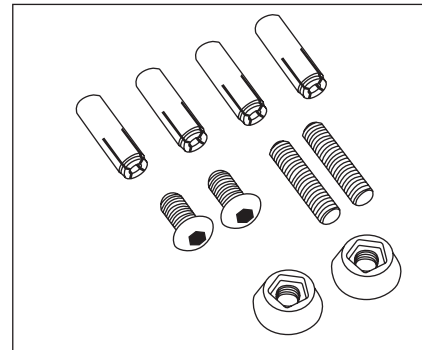
- Next, insert the drop in anchor with the open side up. Tap lightly to get the anchor flush with the base material.
- Now, take the setting tool and insert it into the anchor. Strike the setting tool with the hammer several times until the set tool no longer moves down. This will ensure the anchor is properly set.



- Place the rack frame and hairpins over the anchors. Tighten down using included Nyloc nuts.



Temporary mount hardware



Temporary secure mount hardware



WARRANTY

WARNING: Manufacturer and seller expressly disclaim any and all liability for personal injury, property damage or loss, whether direct, indirect, or incidental, resulting from the incorrect attachment or inappropriate placement, improper use, inadequate maintenance, or neglect of this product. Placement of this product is beyond control of the manufacturer. It is the end users responsibility to place this product so as to avoid potential pedestrian or playground accidents.

WARRANTY: We warrant this product to the first consumer to be free from defect in material and workmanship for a period of one year from date of purchase. Please retain your sales slip for your records. Any product or part thereof found to be defective within that period will be replaced without charge provided that: (1) the product was not misused; (2) no alterations or modifications were made; (3) its failure resulted from a defect in material or workmanship and not from normal wear expected in the use of the product; (4) the product or part is delivered, freight prepaid, to Saris Products. Manufacturer's only obligation shall be to replace such products or parts proved to be defective.

Saris Infrastructure 5253 Verona Road Madison, WI 53711 (800)783-7257 www.sarisinfrastructure.com