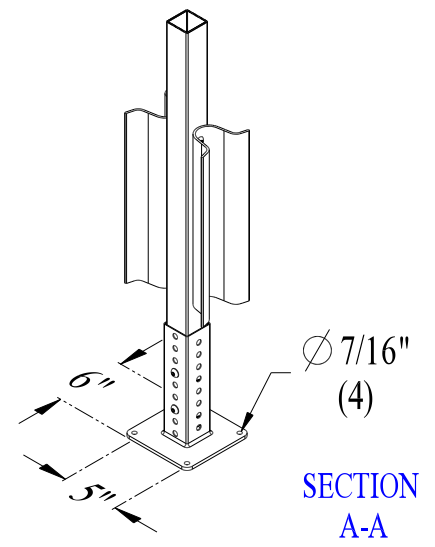
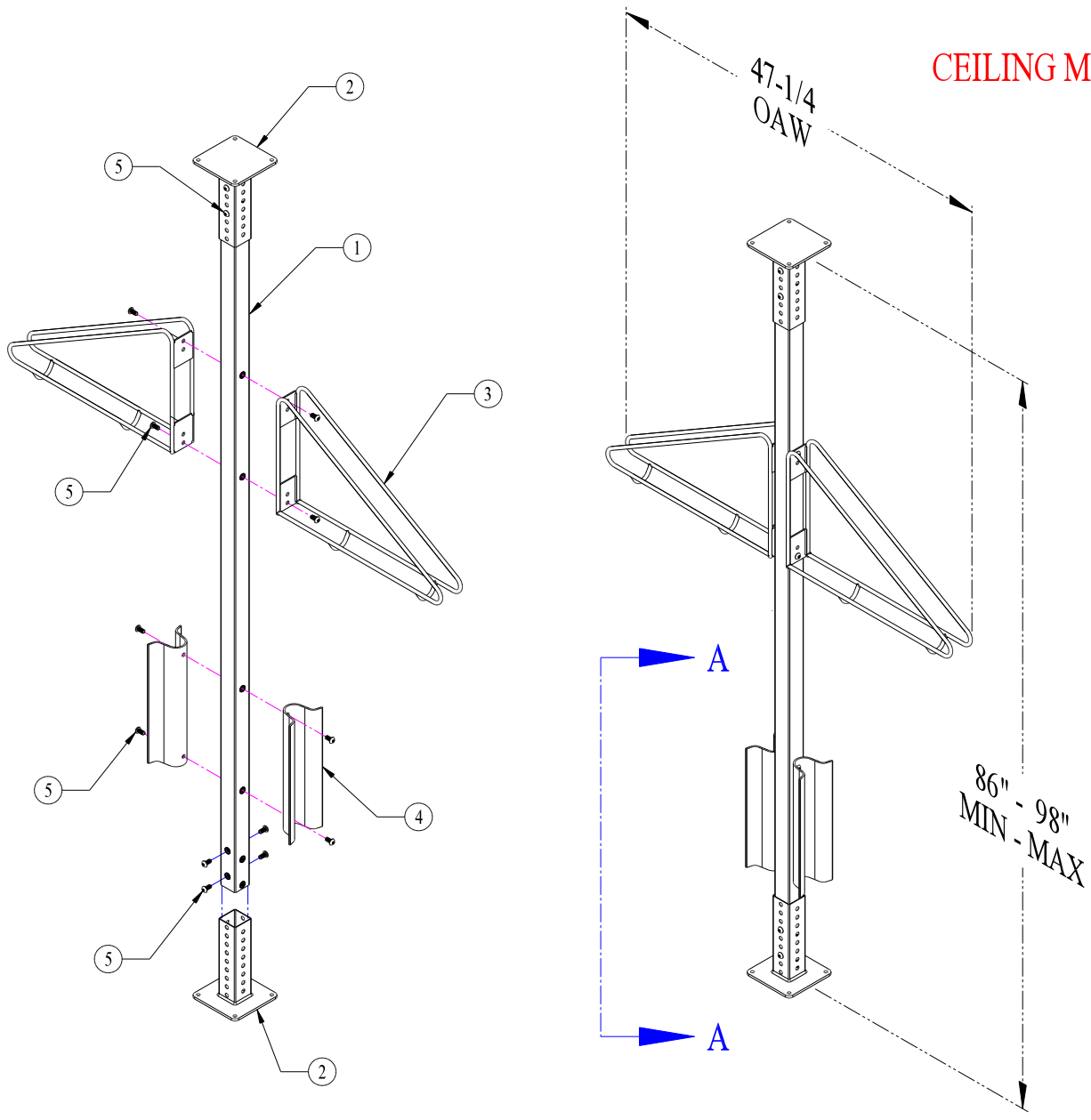


ITEM	QTY	DESCRIPTION	PART #
1	1	VERTICAL (UPRIGHT) TUBE	17634
2	2	ADJUSTABLE MOUNT	17636
3	2	WALL-RACK	17502
4	2	TIRE GUARD	17568
5	16	3/8-16NC x 1" LG. S/S (TORX) BHCS	12724

NOTES:

1. ALL MATERIALS MUST BE CLEAN AND FREE OF MILL LUBRICATION
2. ANY BLEMISHES OR RUST WILL NOT BE ALLOWED ON COMPLETED PRODUCTS
3. TGIC POLYESTER TAUPE POWDERED COATING EQUIVALENT TO RAL 7006 SPECIFICATION



SHEET 1 OF 1		A	RELEASE FOR QUOTE	02/13/15		
TOLERANCES UNLESS OTHERWISE SPECIFIED: +/-		REV	DESCRIPTION	DATE		
.X .030		WALL-RACK (TREE) SQUARE TUBING				
.XX .010		Cycle Safe 5211 CASCADE ROAD - SUITE 210 GRAND RAPIDS, MI 49546 www.cyclesafe.com				
.XXX .005					BOB SLYH	02/13/15
ANGLE 1/2°					CHECKED	DATE
					APPROVED	DATE
		REV	DESCRIPTION	DATE		
		D	WALL-RACK (TYPE 1) ASSEMBLY	10631		
				A		