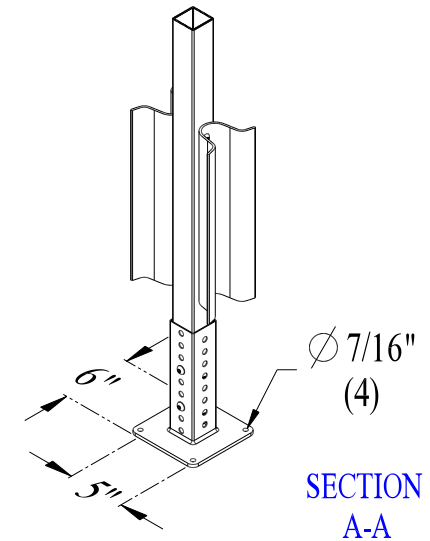


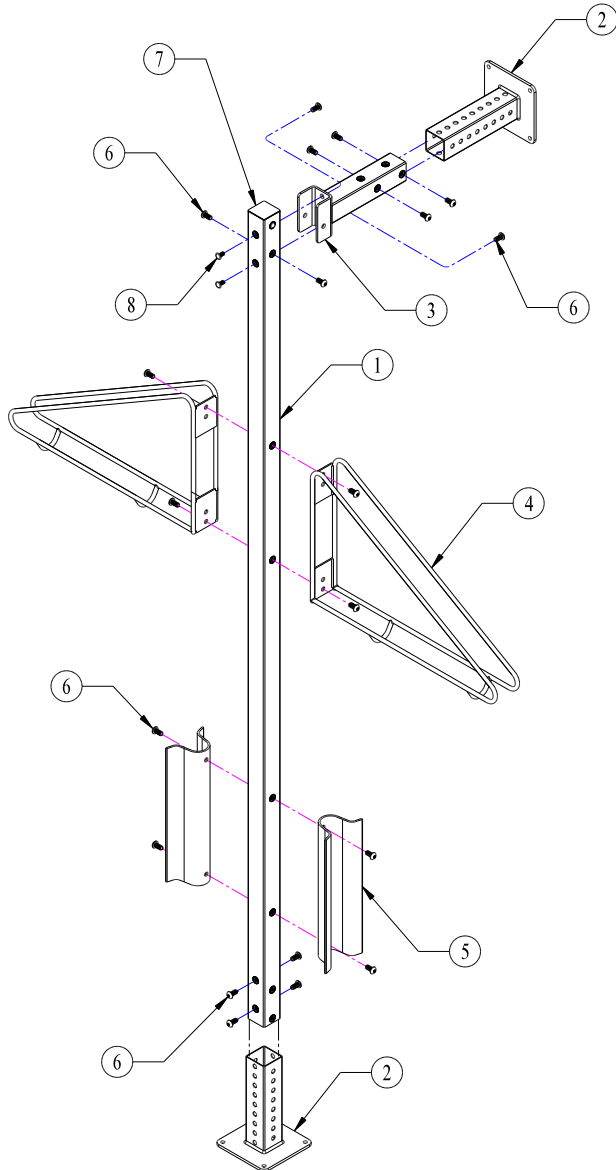
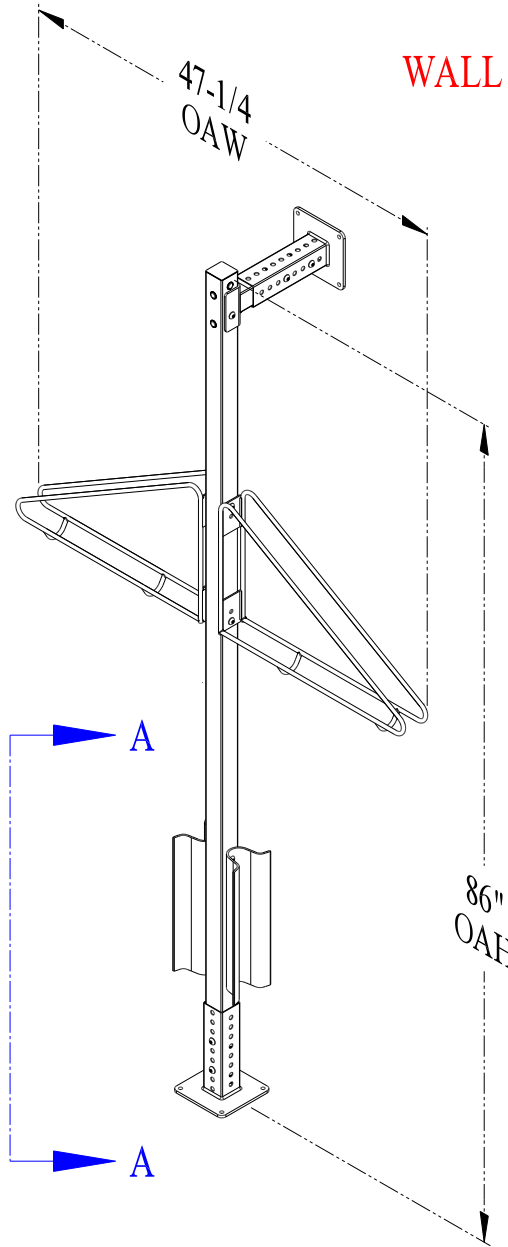
ITEM	QTY	DESCRIPTION	PART #
1	1	VERTICAL (UPRIGHT) TUBE	17634
2	2	ADJUSTABLE MOUNT	17636
3	1	HORIZONTAL EXTENSION	17642
4	2	WALL-RACK	17502
5	2	TIRE GUARD	17568
6	20	3/8-16NC x 1" LG. S/S (TORX) BHCS	12724
7	1	TUBE CAP (BLACK)	18105
8	6	3/8" CHRISTMAS TREE PLUG (BLACK)	17156

NOTES:

1. ALL MATERIALS MUST BE CLEAN AND FREE OF MILL LUBRICATION
2. ANY BLEMISHES OR RUST WILL NOT BE ALLOWED ON COMPLETED PRODUCTS
3. TGIC POLYESTER TAUPE POWDERED COATING EQUIVALENT TO RAL 7006 SPECIFICATION



WALL MOUNT



SHEET 1 OF 1		A	RELEASE FOR QUOTE	02/13/15
TOLERANCES UNLESS OTHERWISE SPECIFIED: +/-		REV	DESCRIPTION	DATE
		WALL-RACK (TREE) SQUARE TUBING		
		Cycle Safe		
		5211 CASCADE ROAD - SUITE 210 GRAND RAPIDS, MI 49546 www.cyclesafe.com		
		BOB SLYH	02/13/15	
		CHECKED	DATE	
		APPROVED	DATE	
		WALL-RACK (TYPE 2) ASSEMBLY		10632
				REV: A