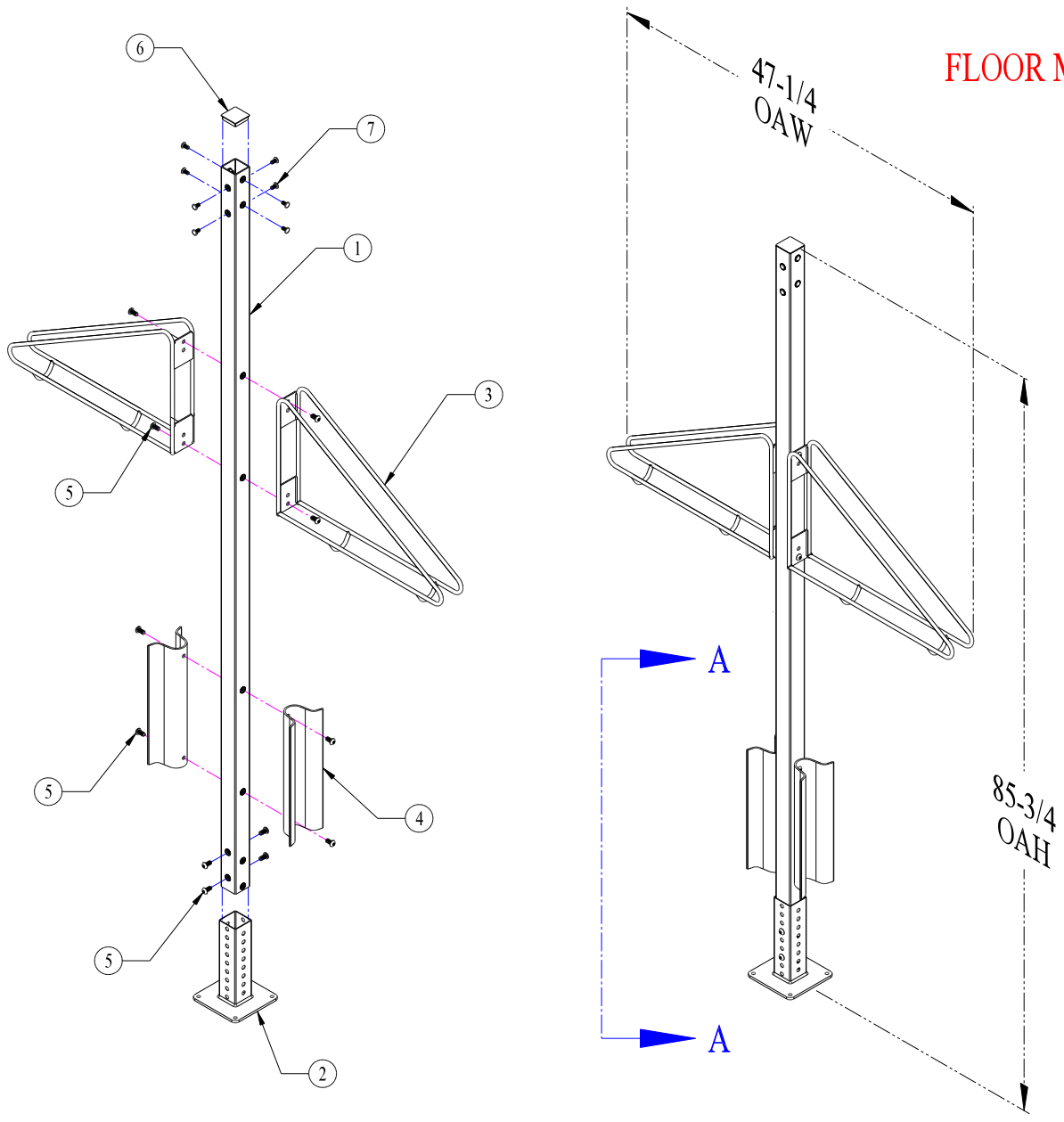
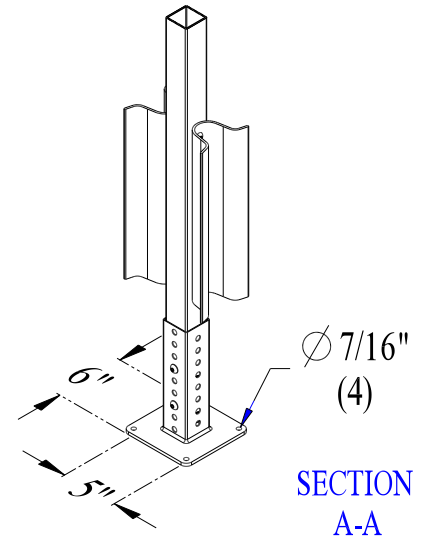


ITEM	QTY	DESCRIPTION	PART #
1	1	VERTICAL (UPRIGHT) TUBE	17634
2	2	ADJUSTABLE MOUNT	17636
3	2	WALL-RACK	17502
4	2	TIRE GUARD	17568
5	16	3/8-16NC x 1" LG. S/S (TORX) BHCS	12724
6	1	TUBE CAP (BLACK)	18105
7	8	3/8" CHRISTMAS TREE PLUG (BLACK)	17156

NOTES:

1. ALL MATERIALS MUST BE CLEAN AND FREE OF MILL LUBRICATION
2. ANY BLEMISHES OR RUST WILL NOT BE ALLOWED ON COMPLETED PRODUCTS
3. TGIC POLYESTER TAUPE POWDERED COATING EQUIVALENT TO RAL 7006 SPECIFICATION



SHEET 1 OF 1	A	RELEASE FOR QUOTE	02/13/15
	REV	DESCRIPTION	DATE
	WALL-RACK (TREE) SQUARE TUBING		
	Cycle Safe 5211 CASCADE ROAD - SUITE 210 GRAND RAPIDS, MI 49546 www.cyclesafe.com		
TOLERANCES UNLESS OTHERWISE SPECIFIED:		BOB SLYH	02/13/15
+/-		CHECKED	DATE
.X	.030	APPROVED	DATE
.XX	.010		
.XXX	.005		
ANGLE	1/2°		
REV	D	WALL-RACK (TYPE 3) ASSEMBLY	10633
			A