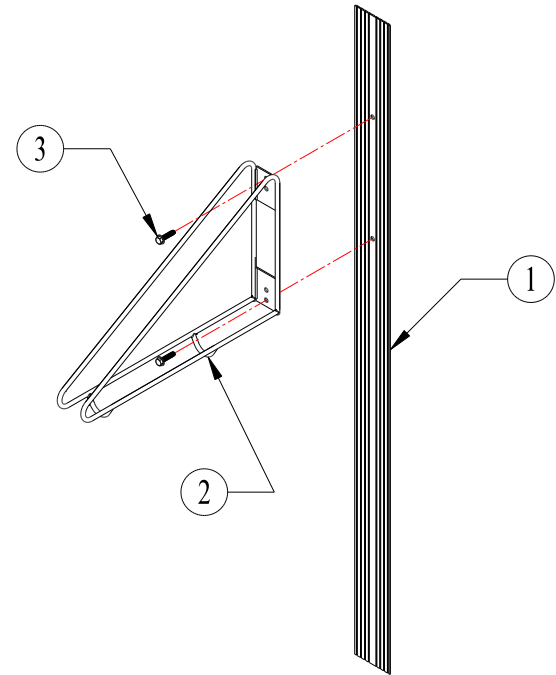


ITEM	QTY	DESCRIPTION	PART NO.
1	1	WALL-RACK PLATE MOUNT	17621
2	1	WALL-RACK	17502
3	2	3/8-16NC SELF-TAPPING S/S SCREW x 2" LG.	17622



SHEET 1 OF 1		A	RELEASE FOR PRODUCTIOIN	09/20/18
REV	DESCRIPTION	DATE		
TOLERANCES UNLESS OTHERWISE SPECIFIED:		WALL-RACK Cycle Safe 5211 CASCADE ROAD - SUITE 210 GRAND RAPIDS, MI 49546 www.cyclesafe.com		
+/-				
.X	.030			
.XX	.010			
.XXX	.005	BOB SLYH	09/20/18	
ANGLE	1/2°	CHECKED	DATE	
		APPROVED	DATE	
SIZE	B	MOUNTING PLATE ASSEMBLY		17620
				REV A