

ELECTRIC PUBLIC BIKE PUMP



SARIS
INFRASTRUCTURE



Nothing beats topping off your tires with the push of a button! The Electric Public Bike Pump is the pinnacle of luxury when it comes to maintaining proper PSI. Wall-mounted or pedestal mounted, indoors or out, this pump quietly and efficiently gets your wheels ready to roll.

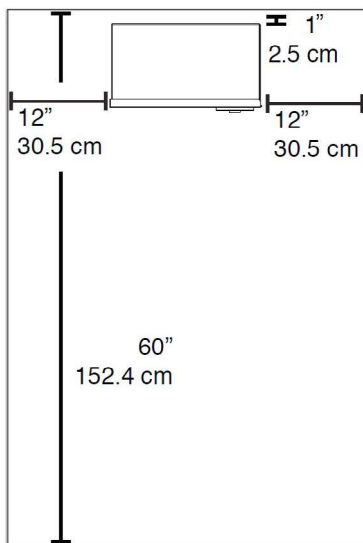
Product Specifications

- Internal compressor supplies air when activated by button
- Quiet operation (<40dB)
- Wall-mounted, or optional pedestal [#26267] for flexible installation
- Worldwide power options (available in 120/240V 50/60Hz)
- Dual pump head works on Schrader and Presta valves

Electric Public Bike Pump

Parallel Wall or object Setbacks:

Both sides of the electric public bike pump should be at least 12" from walls or other obstructions. If pedestal mounting, we suggest mounting it tight against a wall. See Figure 1.



Hose: Rubber exterior,
Braided steel core
Pump Head: Presta/Schrader
(no removable parts w/o special tool)



Powder coated
steel



Installation Hardware
included
with Pedestal (#26267)



2 year
warranty



Made in
the USA

Dimensions

Model #	Finish	Voltage	Weight	Depth	Width	Height	Space Requirement
26263	Powder Coat	120V	36 lbs	9"	16"	12"	36" X 60" (floor space)
26264	Powder Coat	240V	36 lbs	9"	16"	45"	36" X 60" (floor space)
26267	Powder Coat	NA	21 lbs	6"	6"	36"	Floor Mount Pedestal 36" x 60" (floor space)

Our Saris Infrastructure representatives can assist with custom layout and spacing to meet your room dimensions and desired bike capacity.

Saris Infrastructure 800.783.7257

www.sarisinfrastructure.com

Downloadable product resources available online:



CAD Files



SketchUp Files



Written Specs



Photos