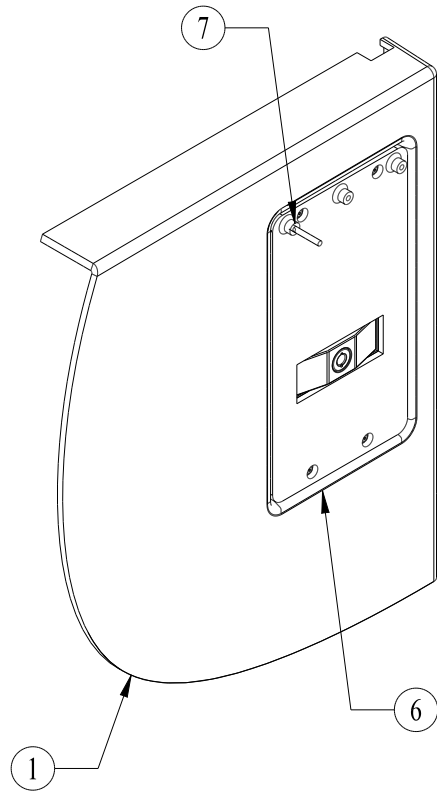


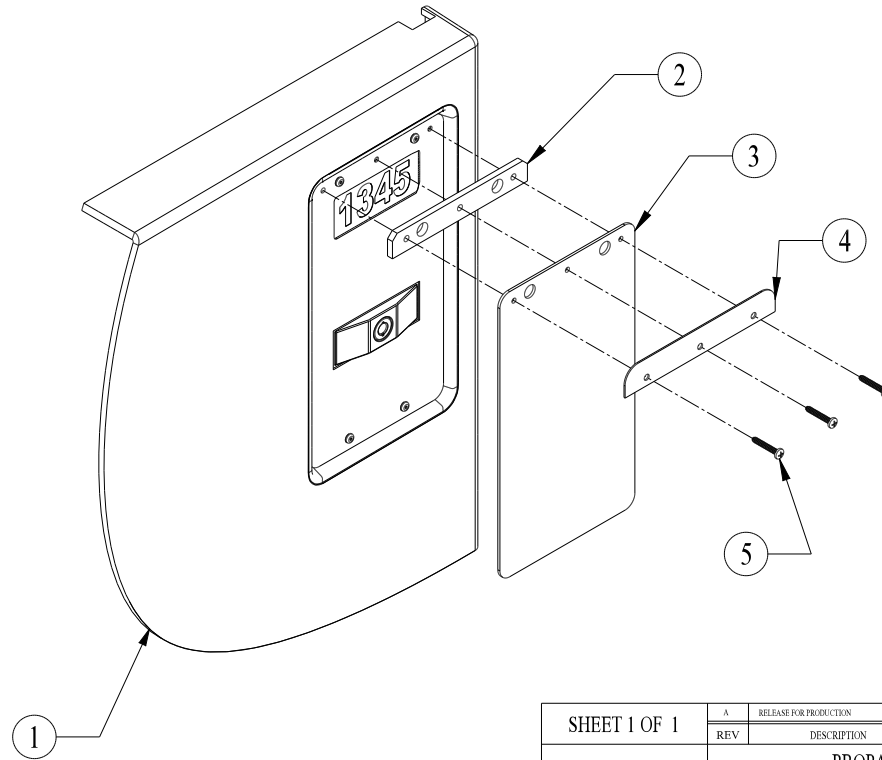
NOTES: {PLEASE REFERENCE WORK INSTRUCTIONS WI4.9.038}

1. ALIGN DRILL GUIDE EDGE-TO-EDGE WITH DOOR LOCK COVER PLATE
2. HOLD IN PLACE AND DRILL TOP THREE HOLES USING DRILL BOSS LOCATIONS THRU THE COVER PLATE & SMC DOOR PANEL
3. NEXT GET THE WEATHER SHIELD COMPONENTS ITEMS #2-4 AND ALIGN WITH HOLES, THEN FASTEN WITH ITEM #5 SCREWS AS SHOWN

ITEM	QTY	DESCRIPTION	MATERIAL
1	1	DOOR ASSEMBLY ABLOY T-HANDLE LOCK ASSEMBLY COVER PLATE & NUMBER PLATE	REFERENCE PURPOSES ONLY!
2	1	SPACER	10796
3	1	VINYL COVER	10794
4	1	COVER PLATE	10797
5	3	PHILLIPS #8 PAN HEAD SCREWS	10798
6	1	DRILL GUIDE WELDMENT	10773
7	1	5/32" DRILL BIT	10776



DRILL GUIDE ALIGNMENT



WEATHER SHIELD INSTALL

SHEET 1 OF 1 TOLERANCES UNLESS OTHERWISE SPECIFIED: +/- .X .030 .XX .010 .XXX .005 ANGLE 1/2°	A	RELEASE FOR PRODUCTION	08/08/13
	REV	DESCRIPTION	DATE
	PROPARK ~ WEATHER SHIELD		
	Cycle Safe 5211 CASCADE ROAD - SUITE 210 GRAND RAPIDS, MI 49546 www.cyclesafe.com		
REV	DATE		
APPROVED	DATE		
REV	D	SOLENOID & LOCK ASSEMBLY	10792
			A