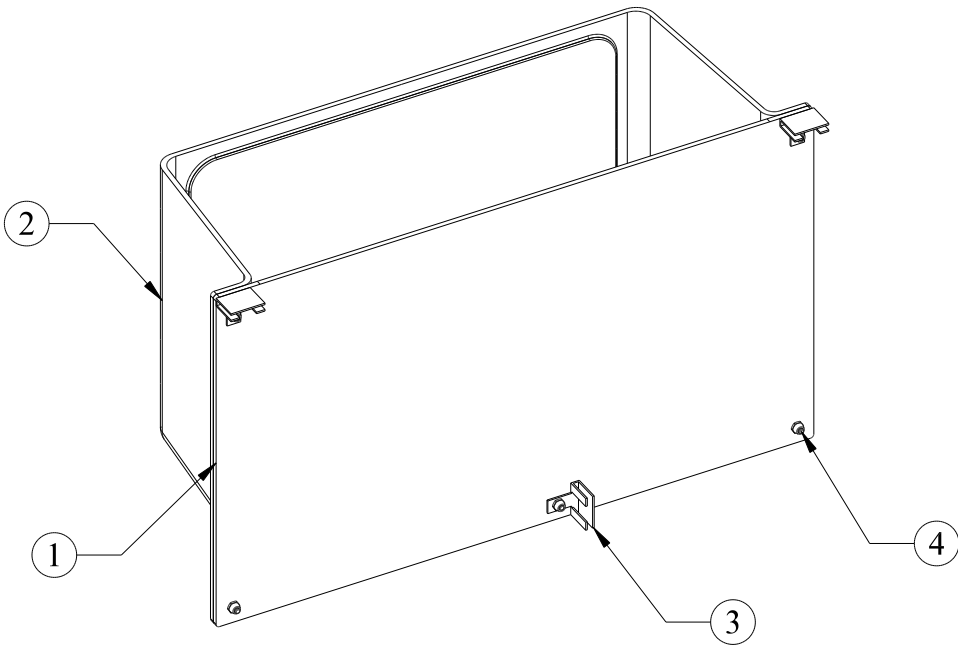


ITEM	QTY	DESCRIPTION	PART NO.
1	1	MOUNTING PLATE	10810
2	1	DOOR BIN	10811
3	3	{HAMMER-ON} FLANGE CLIP	10791
4	5	#10-24 WIZLOCK NUT S/S	10615
5	5	#10-24 x 3/4" LG. BUTTON HEAD CAP SCREW	10614
6	5	#10 WASHER S/S	17039



NOTES:

1. ALL MATERIALS MUST BE CLEAN AND FREE OF MILL LUBRICATION
2. ANY BLEMISHES OR RUST WILL NOT BE ALLOWED ON COMPLETED PRODUCTS



REV	DESCRIPTION	DATE
C	REVISED AND REDRAWN	09/10/09
B	REVISED MOUNTING PLATE AND BOM	06/10/09
A	REVISED AND REDRAWN	05/01/09

SHEET 1 OF 1		PROPARK ~ {DOOR} STORAGE BIN	
TOLERANCES UNLESS OTHERWISE SPECIFIED: +/- .X .06 .XX .03 .XXX .01 ANGLE 1/2°	NEXT DWG 10789	<p align="center">Cycle Safe</p> 5211 CASCADE ROAD - SUITE 210 GRAND RAPIDS, MI 49546 www.cyclesafe.com	
	GERI MOHR 09/09/10		
	CHECKED 04/02/14		
	APPROVED DATE		
SIZE B	DOOR BIN ASSEMBLY	10789	REV C