



**CycleSafe**<sup>®</sup>  
Simple. Strong. Secure.

## PowerPro GFI Power Station Door Kit

Elevate your cycling experience with the PowerPro Power Station Door Kit, an innovative GFI Outlet Accessory meticulously designed for CycleSafe's ProPark bike lockers. Tailored to meet the charging needs of electric bikes, this comprehensive kit transforms your bike locker into a convenient charging station, ensuring that your ride is ready to roll whenever you are.

### FEATURES

- All-Inclusive Charging Kit (you just need an electrician and your wire leading up to the unit)
- Weather-proof and power-washing proof
- GFCI Outlet

### BENEFITS

- Easy to install on new or existing lockers
- Allows e-bikes to be charged outside
- Two outlets per stall allows riders to charge accessories



Scan QR code to  
learn more

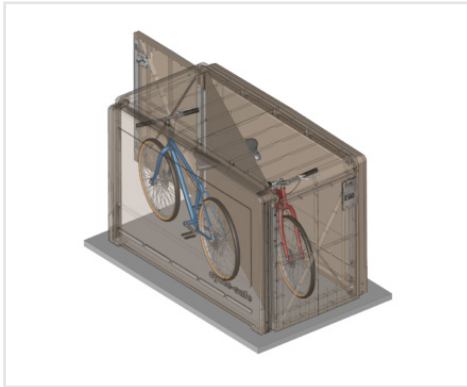
616.954.9977

[www.cyclesafe.com](http://www.cyclesafe.com)

[info@cyclesafe.com](mailto:info@cyclesafe.com)

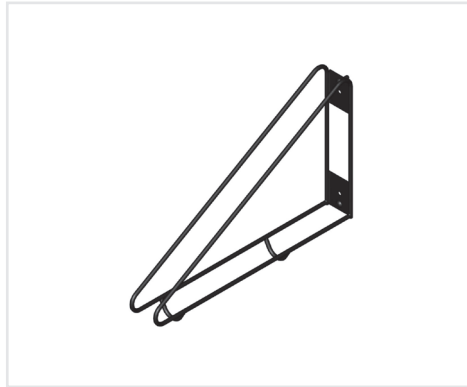


## RELATED PRODUCTS



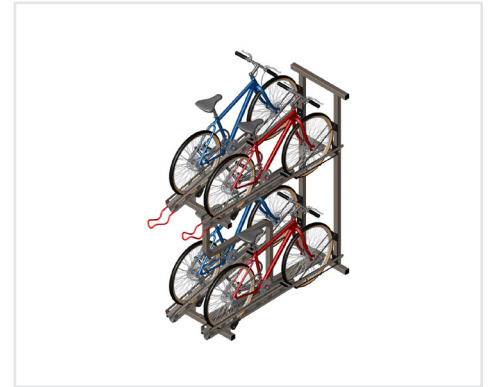
### ProPark Bike Locker

CycleSafe ProPark® series is our flagship bicycle locker, which offers the longest product lifespan in the bike locker market.



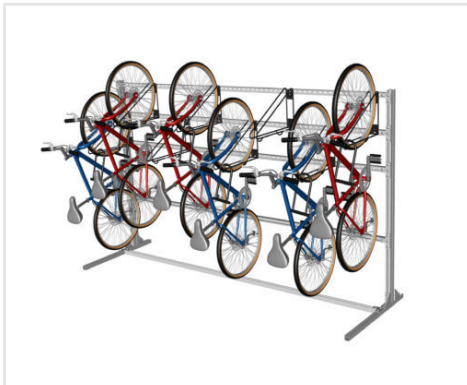
### Bike Wall Rack

CycleSafe's Original WallRack™ was the first vertically-hanging wall rack for bikes to effectively store a bike in a simple, space saving, and economical vertical bike storage rack.



### Quad Hi-Density Bike Rack

Our Quad Hi-Density Bike Rack™ is a double-tier bike rack offering space-efficient, two-tier bike parking with little to no maintenance required.



### WallRack Stand

The WallRack™ Stand by CycleSafe is designed for spaces where there may be no wall to attach to or for use as a system that is portable or freestanding.



### Bike Stations

Bike Stations combine our CyclePort Bike Shelter system with our ProPark Double-Tier Bicycle Lockers to meet long-term and short-term parking needs, from the dedicated cycle commuter to the on-demand user.



### Tree Rack

The Bike Tree Rack is ideal for parking garages and bike rooms to maximize space efficiency. The space-saving Bike Tree Rack is vertical bike parking that allows you to park more bikes per square foot.



**CycleSafe®**  
Simple. Strong. Secure.

616.954.9977

[www.cyclesafe.com](http://www.cyclesafe.com)

[info@cyclesafe.com](mailto:info@cyclesafe.com)