

Wall Mounted Work Stand

Recommended Setbacks

Features:



Laser-cut flat plate
& thick-wall
DOM tubing



Powder Coat



2 year
warranty



Made in
the USA

Anchors sold separately

Included Tools:



Phillips
screwdriver



Standard
screwdriver



Steel core tire
levers (2)



Headset/pedal
wrench



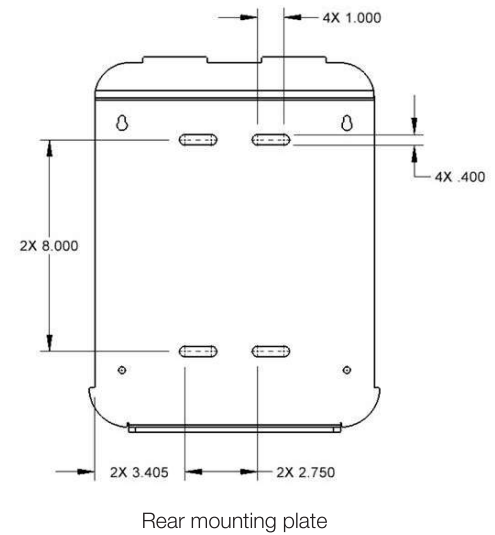
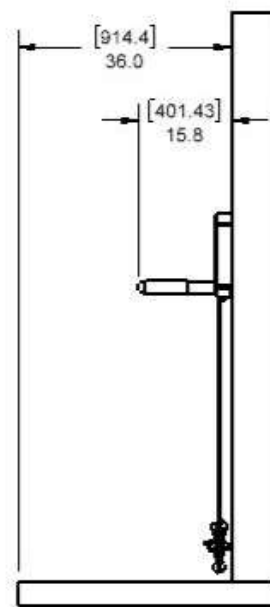
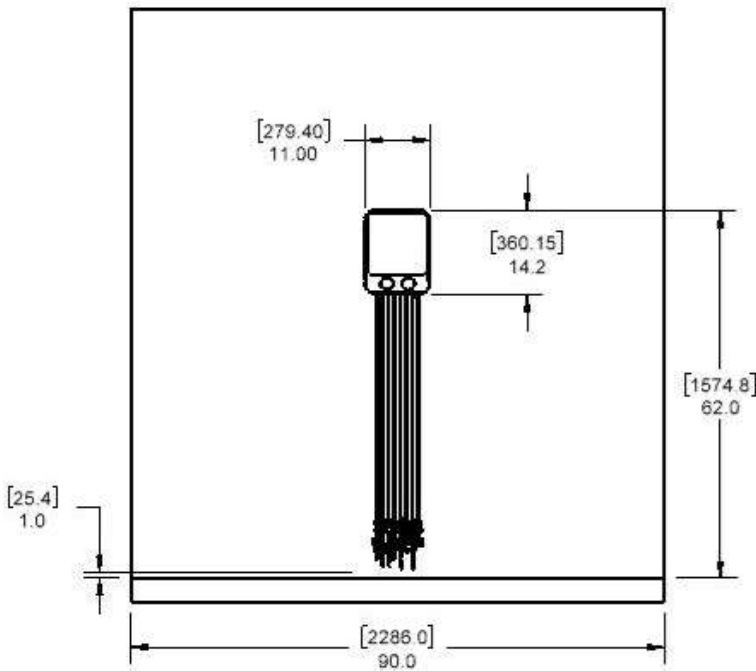
8/10mm and 9/11mm
cone wrenches



Torx T-25



Hex key set



DIMENSIONS						
Model #	Finish with additional color options	Type of Mount	Weight	Length	Width	Height with Tools
29755BLK	Black Powder Coat	Wall/Post	29 lbs.	16"	11"	61"
29755RED	Red Powder Coat	Wall/Post	29 lbs.	16"	11"	61"